



460 Southport Commerce Blvd.
 Spartanburg SC 29306
 Phone: 864-574-6004
 Fax: 864-574-6005
 www.ojedausa.com
 sales@ojedausa.com

Project: _____
 Model #: _____
 Item #: _____ Qty: _____
 Approval: _____

DIP CABINET

8 FLAVOR DIP



ADJUSTABLE THERMOSTAT
 Freezers are equipped with a mechanical thermostat that allows the users to adjust temperature that best fits their products needs. Set from factory at -4°F.

INTERNAL LED LIGHTING
 Internal LED lighting offers a more energy efficient and long lasting way to illuminate the cabinet.

R-290 REFRIGERANT
 Equipped with R-290 refrigerant, an eco-friendly alternative that meets the EPA's environmental impact regulations.

CASTERS
 Equipped with durable casters that allow easy and fast movement in the store.

RING TUB HOLDERS
 Space for 8 3-gallon tubs and storage beneath for 6 additional tubs.

SNEEZE GUARD
 Comes with a clear plastic sneeze guard that is removeable for easy cleaning.

HIGH IMPACT ABS FRAME
 Made of a high impact durable plastic, this frame assures a long-term life span.

OPERATING TEMPERATURE
 0°-10°F

CUSTOM GRAPHICS
 Standard color: white

Dimensions			Crated Dimensions			Tub Holders	HP	Voltage	NEMA config	Amps	Crated Weight		
	W	D	H		W	D	H	4	1/3	120	5-15P	5.4	225 lbs
(in)	50.4	26.4	52	(in)	51.8	27.7	43.4	Net Capacity (cf): 15.2			Energy Consumption: 3.52 kw-hr/day		
(mm)	1280	670	1320	(mm)	1315	702	1100						

*Inches rounded up one decimal place *Specifics may change without notification



CABINET CONSTRUCTION

- High-density, CFC-Free, polyurethane insulation
- Low-E tempered sliding glass lids with lock and keys
- High impact ABS top frame
- Exterior: galvanized metal cabinet with powder coated painted surface
- Interior: easy to clean pre-painted steel
- Heavy duty casters
- Drain plug for easy cleaning
- Lexan sneeze guard
- Holds 8-3 gallon tubs
- Stores 6-3 gallon tubs in bottom
- Internal LED lighting

OPERATING CONDITIONS

- The unit is best suited for an environment where temperatures remain below 85 F and humidity does not exceed 55%
- Areas with direct sunlight should also be avoided

OPTIONS

- Two ring tub holders
- Dip Well
- Removeable Baskets

REFRIGERATION

- Maintenance free condenser
- Adjustable thermostat
- Easy to reach components for repairs
- Triple access air flow compressor compartment
- R-290 refrigerant

WARRANTY

- 3 year parts and labor warranty
- 5 year compressor part

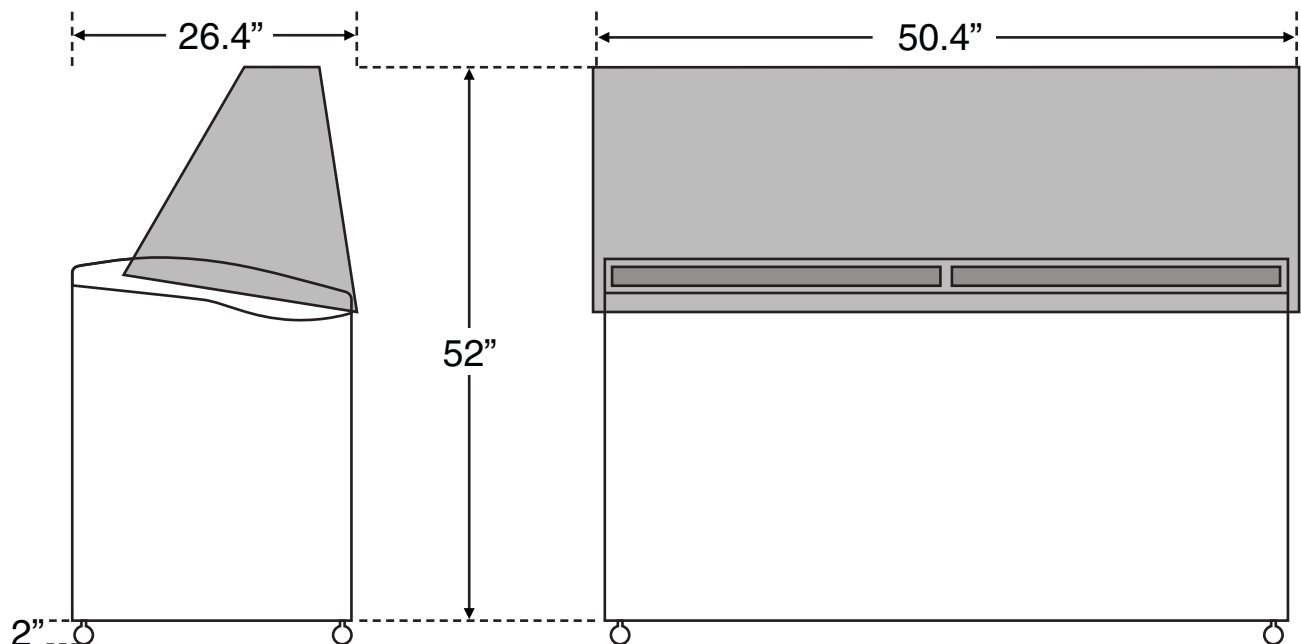
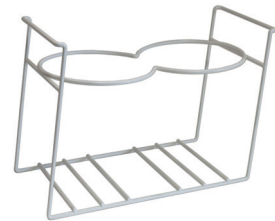
HEAVY DUTY CASTERS



DIP WELL



TWO RING TUB HOLDERS



*Specifics may change without notification

