



460 Southport Commerce Blvd.  
 Spartanburg SC 29306  
 Phone: 864-574-6004  
 Fax: 864-574-6005  
 www.ojedausa.com  
 sales@ojedausa.com

Project: \_\_\_\_\_  
 Model #: \_\_\_\_\_  
 Item #: \_\_\_\_\_ Qty: \_\_\_\_\_  
 Approval: \_\_\_\_\_

# BUNKER FREEZERS

# NBH-34



### R-290 REFRIGERANT

Equipped with R-290 refrigerant, an eco-friendly alternative that meets the EPA's environmental impact regulations.

### INTERNAL LED LIGHTING

Internal LED lighting offers a more energy efficient and long lasting way to illuminate the cabinet.

### ADJUSTABLE THERMOSTAT

Freezers are equipped with a mechanical thermostat that allows the users to adjust temperature that best fits their products needs. Set from factory at -4°F.

### CASTERS

Equipped with durable casters that allow easy and fast movement in the store.

### HIGH IMPACT ABS FRAME

Made of a high impact durable plastic, this frame assures a long-term life span.

### TOP LIGHT BAR

Optional top light bar for custom graphics.

### OPERATING TEMPERATURE

-10°-0°F

### CUSTOM GRAPHICS

Standard color: white

Dimensions			Crated Dimensions			Baskets	HP	Voltage	NEMA config	Amps	Crated Weight		
	W	D	H		W	D	H	3	1/4 <sup>+</sup>	120	5-15P	3	145 lbs
(in)	34.1	26.4	34.2	(in)	35.3	27.7	35.3	Net Capacity (cf): 5.65			Energy Consumption: 1.86 kw-hr/day		
(mm)	865	670	868	(mm)	895	702	896						

\*Inches rounded up one decimal place \*Specifications may change without notification



## CABINET CONSTRUCTION

- High-density, CFC-Free, polyurethane insulation
- Low-E tempered curved sliding glass lids with lock and keys
- High impact ABS top frame
- Exterior: white galvanized metal cabinet with powder coated painted surface
- Interior: white easy to clean pre-painted steel
- 2" heavy duty casters
- Drain plug for easy cleaning
- Lighting: Interior LED lighting

## OPERATING CONDITIONS

- The unit is best suited for an environment where temperatures remain below 75°F and humidity does not exceed 55%
- Areas with direct sunlight should also be avoided

## OPTIONS

- Two ring tub holders
- Top light bar
- Includes 3 baskets

## REFRIGERATION

- Mechanical thermostat
- Easy to reach components for repairs
- R-290 refrigerant

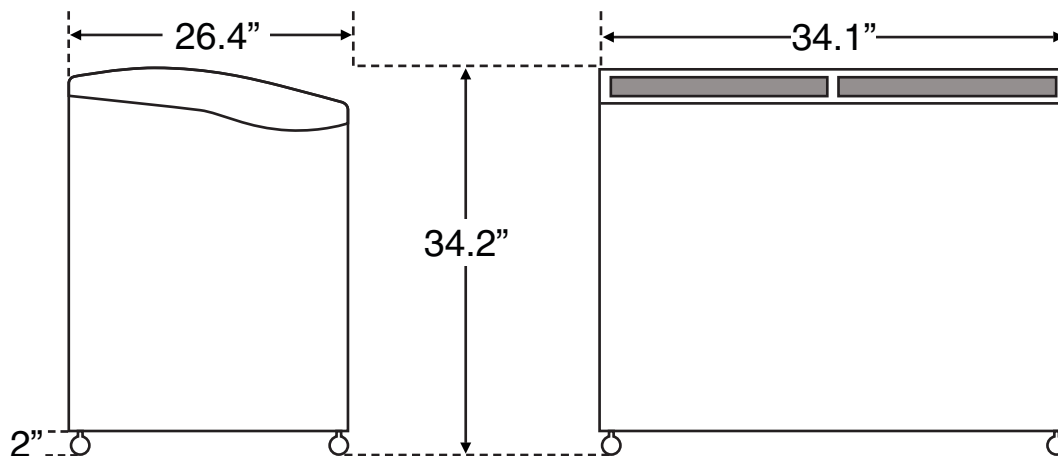
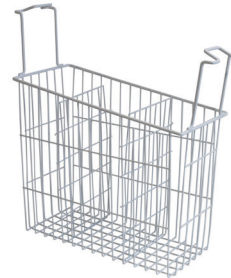
## WARRANTY

- 3 year parts and labor warranty
- 5 year compressor part

**TOP LIGHT BAR**



**BASKETS**



\*Specifics may change without notification

