



460 Southport Commerce Blvd.  
 Spartanburg SC 29306  
 Phone: 864-574-6004  
 Fax: 864-574-6005  
 www.ojedausa.com  
 sales@ojedausa.com

Project: \_\_\_\_\_  
 Model #: \_\_\_\_\_  
 Item #: \_\_\_\_\_ Qty: \_\_\_\_\_  
 Approval: \_\_\_\_\_

# CHEST FREEZER

# NCFH-34



**ADJUSTABLE THERMOSTAT**  
 Freezers are equipped with a mechanical thermostat that allows the users to adjust temperature that best fits their products needs. Set from factory at -4°F.

**STEEL CONSTRUCTION**  
 Robust steel construction minimizes the use of plastic materials resulting in an environmentally friendly design.

**LID LOCK**  
 Equipped with a security lock (standard).

**FOAMED DOOR**  
 Solid chest freezer door with a perfect closing seal. The location of the equipment must allow at least a 75° opening angle.

**OPERATING TEMPERATURE**  
 -10° to 0°F

**CUSTOM GRAPHICS**  
 Standard color: white

Dimensions			Crated Dimensions			Basket	HP	Voltage	NEMA config	Amps	Crated Weight		
	W	D	H		W	D	H	1	1/4+	120	5-15P	3.5	119 lbs
(in)	32.7	27.1	34	(in)	34.8	28	36.3	Net Capacity (cf): 8			Energy Consumption: 1.59 kw-hr/24 hrs		
(mm)	830	687	862	(mm)	882	709	920						

\*Inches rounded up one decimal place \*Specifics may change without notification



## OPERATING CONDITIONS

- The unit is best suited for an environment where temperatures remain below 85 F and humidity does not exceed 55%
- Areas with direct sunlight should also be avoided

## WARRANTY

- 3 year parts and labor warranty
- 5 year compressor part

## CABINET CONSTRUCTION

- High-density, CFC-Free, polyurethane insulation
- Exterior: Galvanized metal cabinet with powder coated painted surface
- Interior: Easy to clean pre-painted steel
- Heavy Duty Casters
- Drain plug for easy cleaning

## REFRIGERATION

- Maintenance free condenser
- Adjustable Thermostat
- Easy to reach components for maintenance
- Triple access air flow compressor compartment.

## BASKET

- Removable Wire basket

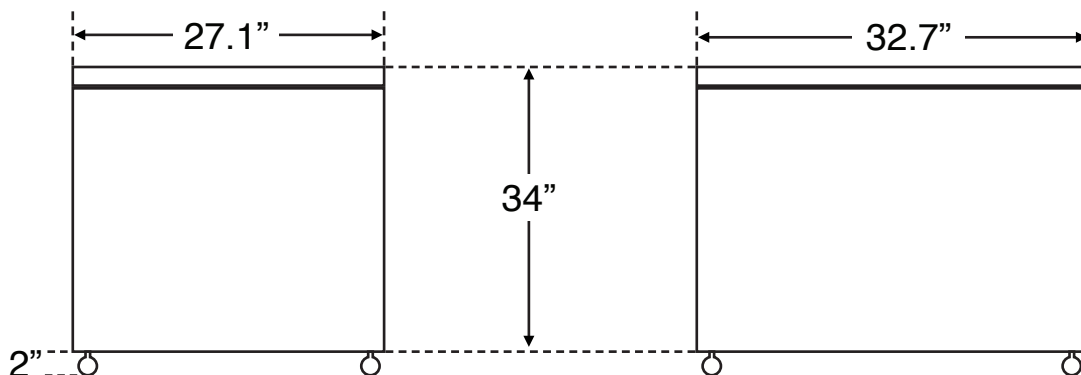
**BASKET**



**HINGE**



**REMOVEABLE GASKET**



\*Specifics may change without notification

