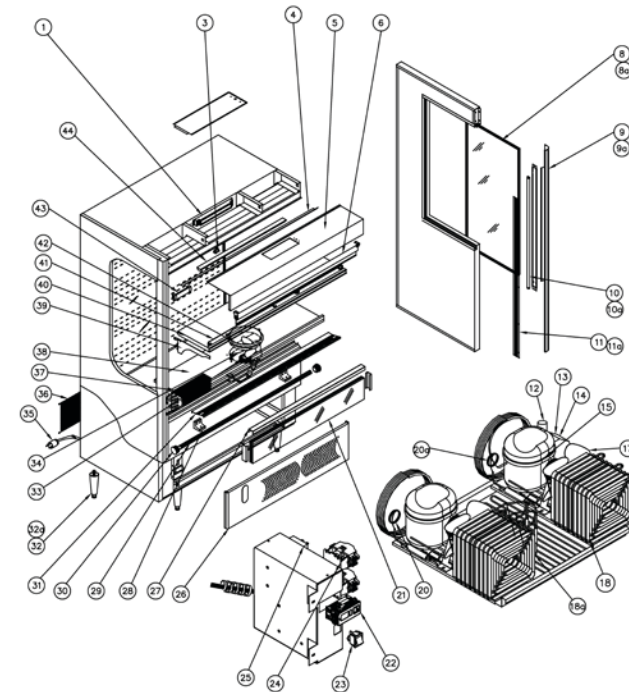


# ALPA-120 Parts and Descriptions

Item #	Part #	Description
1	301007009	LED Driver Module, 12 VDC, 35W, Cleanlife, ALPA / RDCH
3	100412001	Switch, Rocker, Single Pole, Lights
4	101530061	Lens Cover, Horizontal (ALPA-99/120)
5	103142000	Panel Cover, Header (ALPA-120 G2)
6	201182011	Night Curtain, PET Material, Clear (ALPA-120/99 G2)
8	183570003	Glass Pack, Rt. Side (ALPA-77/120)
8a	183570004	Glass Pack, Lt. Side, Vertical (ALPA-77/120 G2)
9	183200001	Cover, Corner Post, Right FACING, Manufactured, Version 3 (ALPA-77/120 G2)
9a	183200000	Cover, Corner Post, Left FACING, Manufactured, Version 3 (ALPA-77/120 G2)
10	300396058	LED Light Bar, 40", 12 VDC, 9W, 6250K, ALPA / NBH
10a	300396058	LED Light Bar, 40", 12 VDC, 9W, 6250K, ALPA / NBH
11	103089003	Lens Cover, Vertical, Left (ALPA-77/120)
11a	103089002	Lens Cover, Vertical, Right (ALPA-77/120)
12	100517034	Start Capacitor, Embraco, FFU130HAK
13	100516043	Start Relay, Embraco, FFU130HAK
14	100515042	Thermal Overload, Embraco, FFU130HAK
15	100397042	Compressor, Embraco, FFU130HAK
16	100669057	Condenser Fan Motor Elco NU-9-20
17	100436034	Fan Blade Plastic, 5 Blade, 9", 30 Deg. (Sub for 100436034)
18	181496005	Condenser Coil, System #2, Left (ALPA-120 G2)
18a	181496004	Condenser Coil, System #1, Right (ALPA-120 G2)
20	100417068	Capillary Tube (R. Side), .059" x 16' (ALPA-99/120 G2)
20a	100417056	Capillary Tube (L. Side), .059" x 16' (ALPA-99/120 G2)
21	300059011	Glass Pack, Horizontal, Front (ALPA-99/120 G2)
22	300362008	Electronic Temp Control, AKO-D14120 (3 Button)
23	100595005	Cherry YR Rocker Switch, To Be Used w/ Version 4 Control Box, ALPA-All
24	200664014	CONTACTOR EATON C25BNB230A
25	300036001	Time Delay on Make w/ Dip Switch, To Be Used w/ Version 4 Control Box, ALPA-77/99/120 G2
26	101753009	Grill, Front, Gen 2, Horizontal Window (ALPA-99/120 G2)
27	200664010	Relay, Contactor, Eaton (ALPA-77/120 / RVP / MBGR)
28	103013000	Bracket, Bumper Support
29	103011001	Bumper Tube and accessories Kit (ALPA-99/120 G2)
30	300376000	Bumper Cap (ALPA-55/77/120 G2)
31	101739011	Grill, Return Air, Bottom, Slotted (ALPA-77/120)
32	300266000	Leveler Leg, Stainless 6" (ALPA-55/77/120 G2 & Venus)
32a	181460001	Leveler Leg, Pod, Black 2" (Venus)
34	100436011	Fan Blade, 8" Diameter, 28 Deg

Item #	Part #	Description
35	100388026	Power Cord, 3.5 Meter, To Be Used w/ Version 4 Control Box, ALPA-77/99/120 G2
36	300196000	Grill, Rear (ALPA-120 G2)
37	180206004	Evaporator Coil (ALPA-120 G2)
38	181510006	Cover, Evaporator Area, White (ALPA-99/120)
39	102803000	Shelf Bracket (ALPA-Except 48)
40	183340001	Shelf Assembly ALPA 99/120 includes 2 brackets
41	102938001	Product Stop, Lexan (ALPA-99/120 G2) Rev. C
42	100195000	Fan Blade Guard (BGR)
43	100512002	Thermometer w/ Magnetic anchor, Texas Tamale Assembly
44	300396058	LED Light Bar, 40", 12 VDC, 9W, 6250K, ALPA / NBH



460 Southport Commerce Blvd.  
Spartanburg SC 29306  
Phone: 864-574-6004  
Fax: 864-574-6005  
www.ojedausa.com  
sales@ojedausa.com